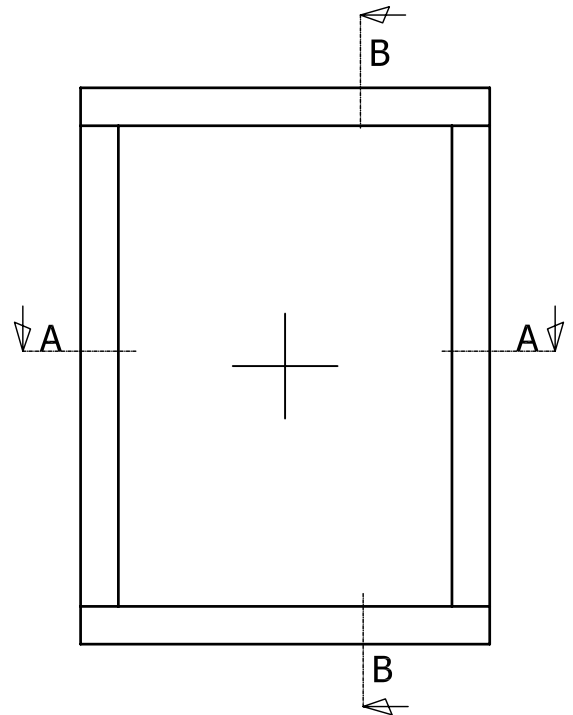
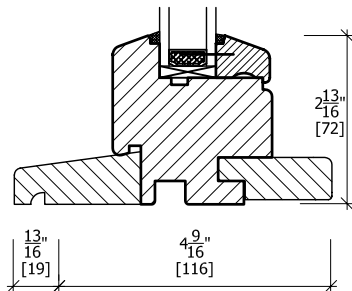
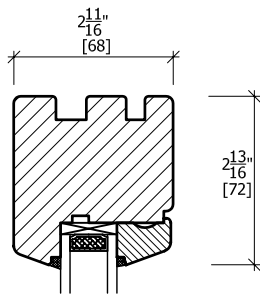
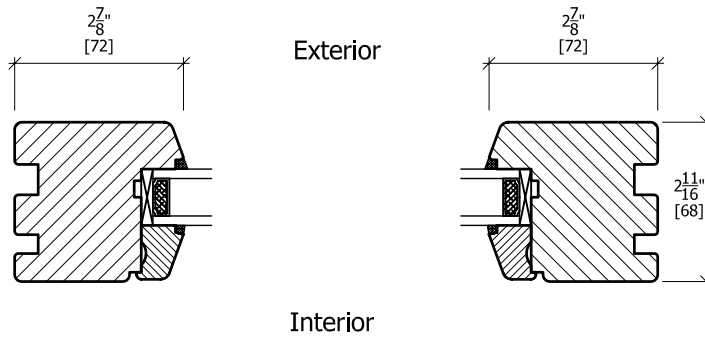


A-A Horizontal Section

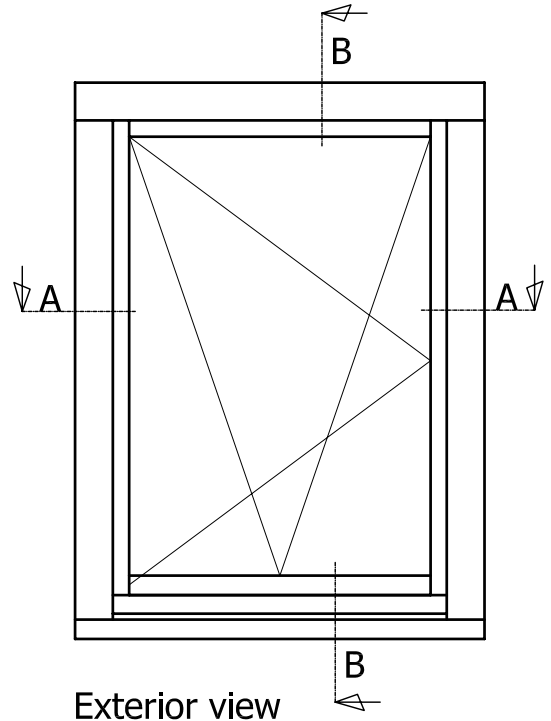
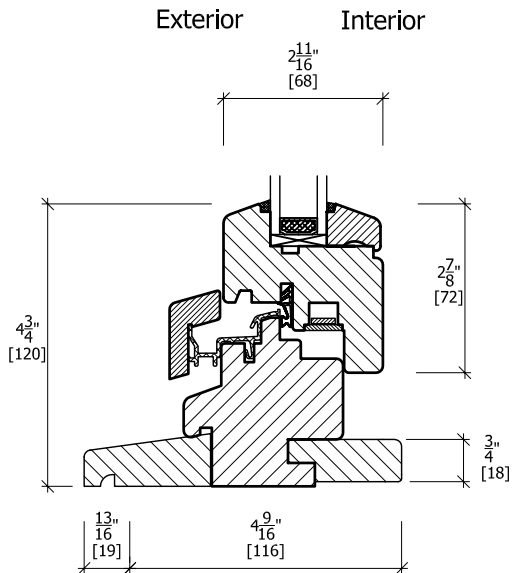
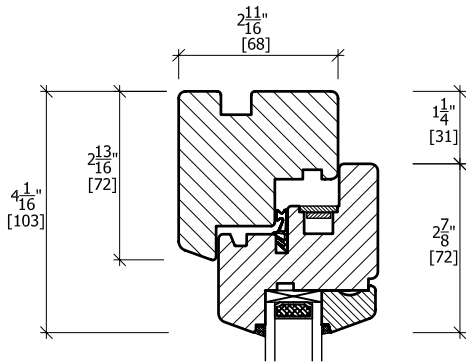
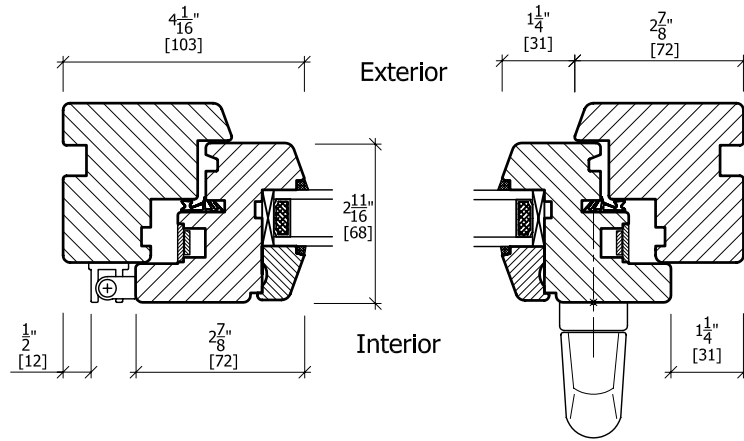


B-B Vertical Section

Wood Window				www.casteliaUSA.com +1 310 393 5540 Phone +1 310 393 1232 Fax	
Castelia Fixed Window		Date	12.15.2006		
		Engineer	C.J.B.		
		Doc #	T-WO-FI-68-W-DX-061220-1.1		
Variant	Direct set		System	68 mm	



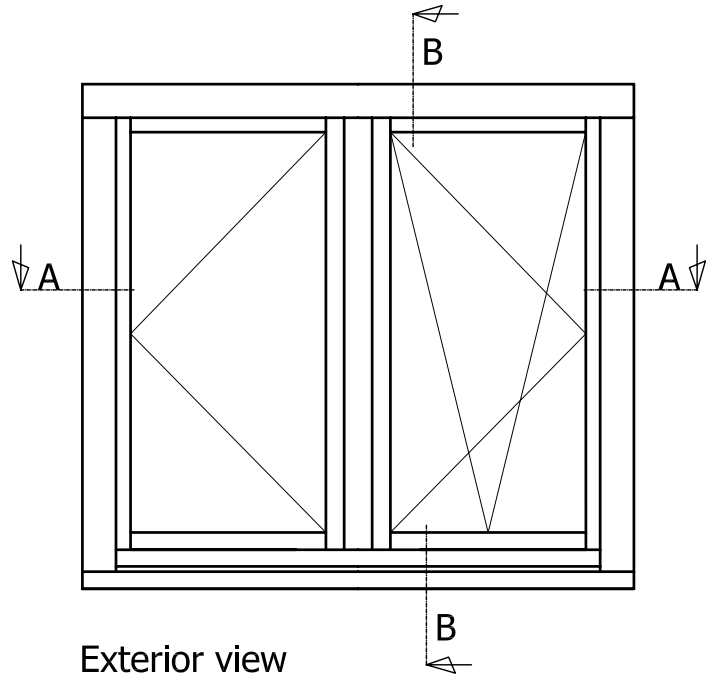
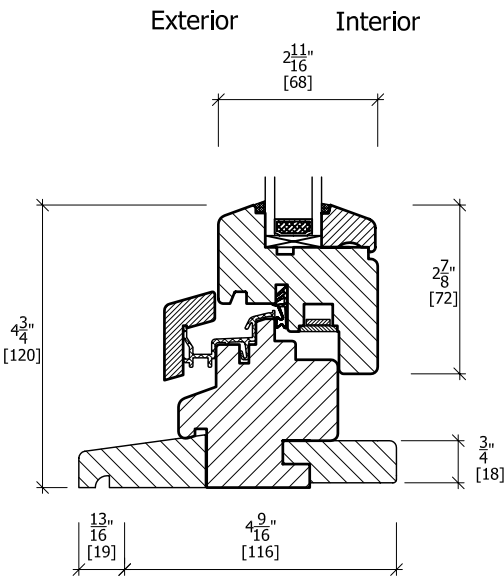
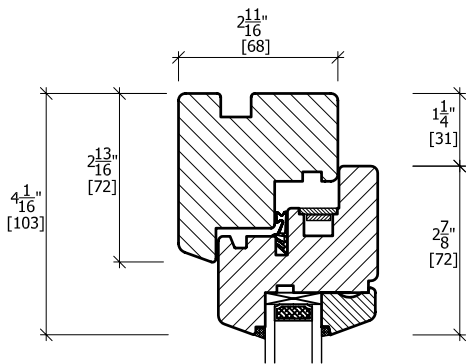
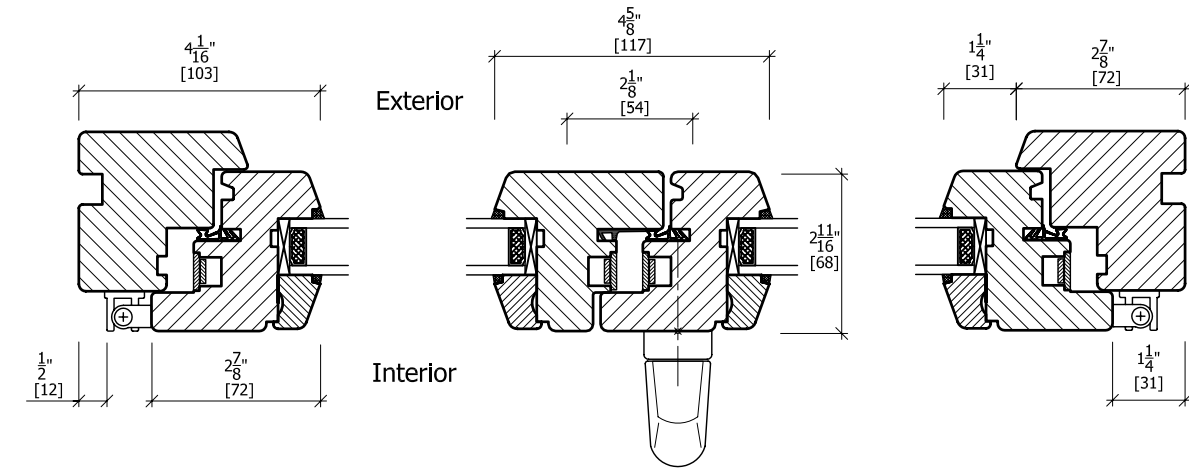
A-A Horizontal Section



B-B Vertical Section

<h2>Wood Window</h2>		www.casteliaUSA.com +1 310 393 5540 Phone +1 310 393 1232 Fax	
<h3>Castelia Turn and Tilt Window</h3>		Date	11.17.2006
		Engineer	C.J.B.
		Doc #	T-WO-TT-68-W-DX-061221-1.1
Variant		System	68 mm

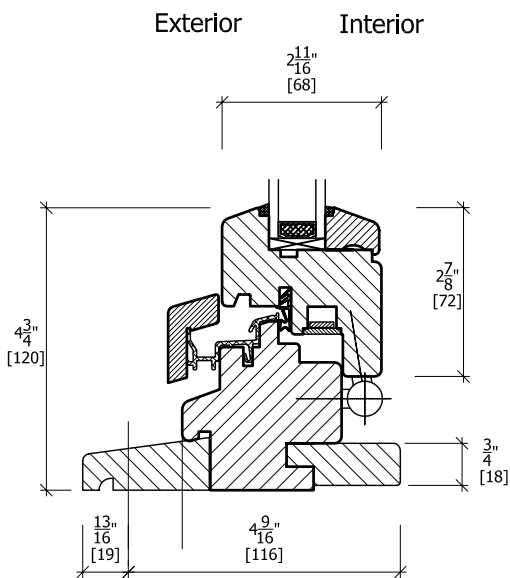
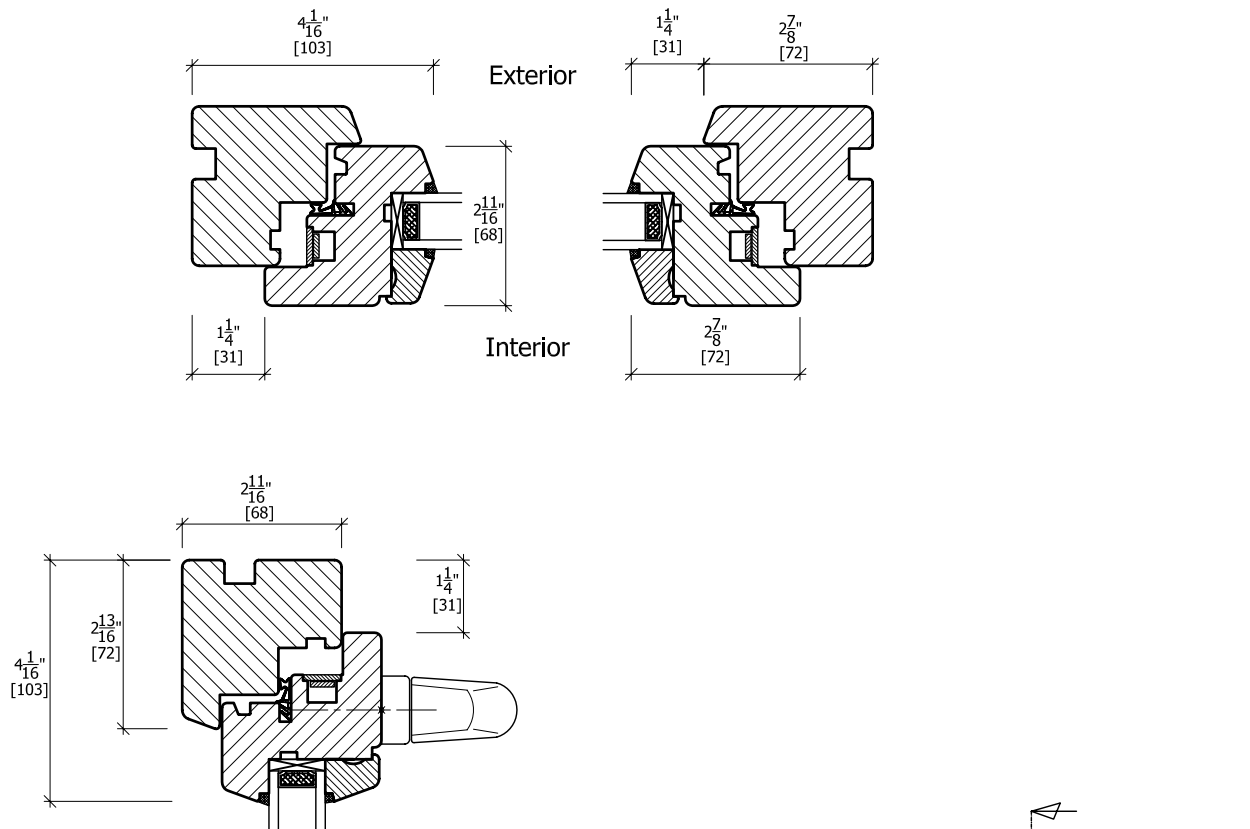
A-A Horizontal Section



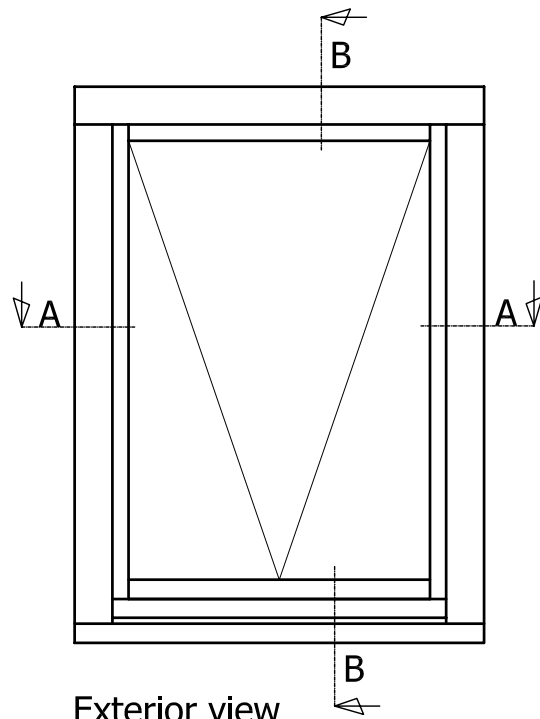
B-B Vertical Section

Wood Window				www.casteliaUSA.com +1 310 393 5540 Phone +1 310 393 1232 Fax	
Castelia Turn and Tilt Window			Date	11.17.2006	
			Engineer	C.J.B.	
			Doc #	T-WO-TT-68-W-DX-061221-2	
Variant	2-Sash w/o center mullion		System	68 mm	

A-A Horizontal Section



B-B Vertical Section



Exterior view

<h2>Wood Window</h2>			www.casteliaUSA.com +1 310 393 5540 Phone +1 310 393 1232 Fax	
<h3>Castelia Hopper Window</h3>	Date	11.17.2006		
	Engineer	C.J.B.		
	Doc #	T-WO-HO-68-W-061221-1		
Variant	System	68 mm		

CASTELIA
Division of Goldbrecht USA Inc.