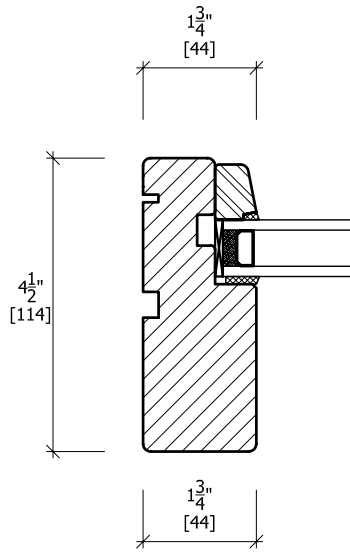
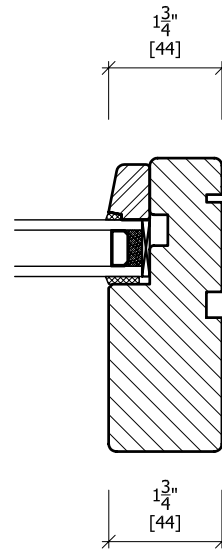


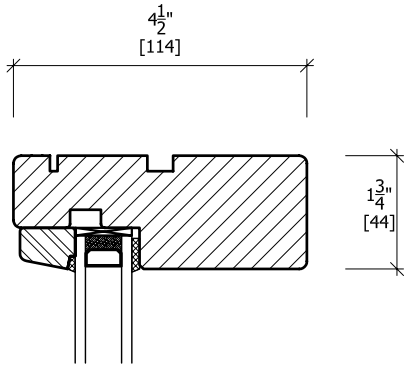
A-A Horizontal Section



Exterior

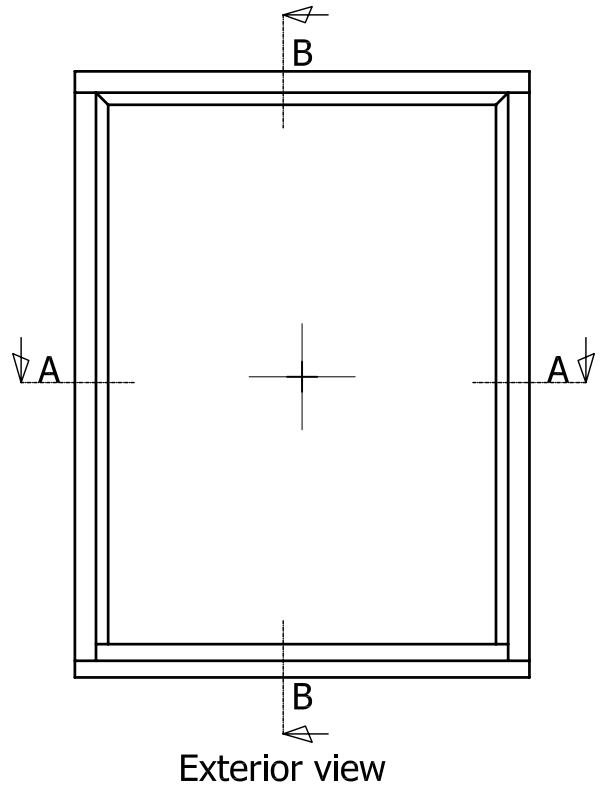
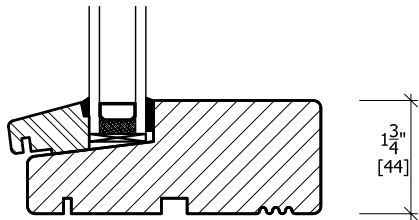


Interior



Exterior

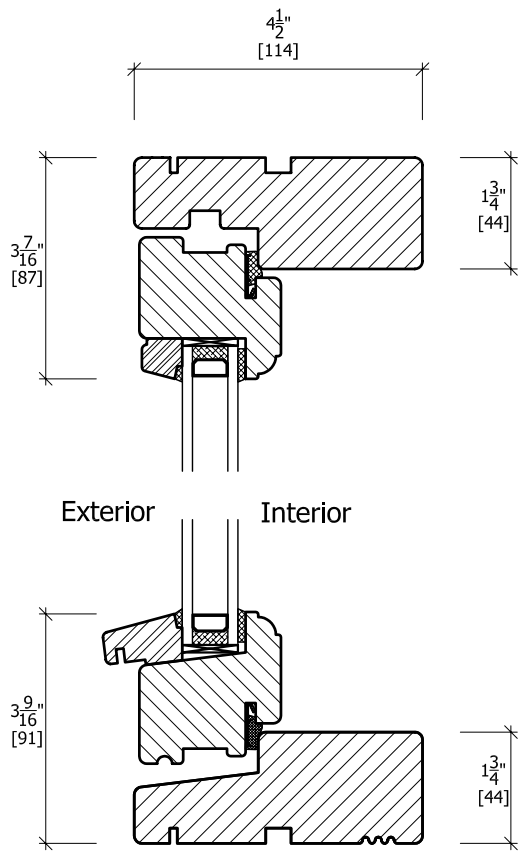
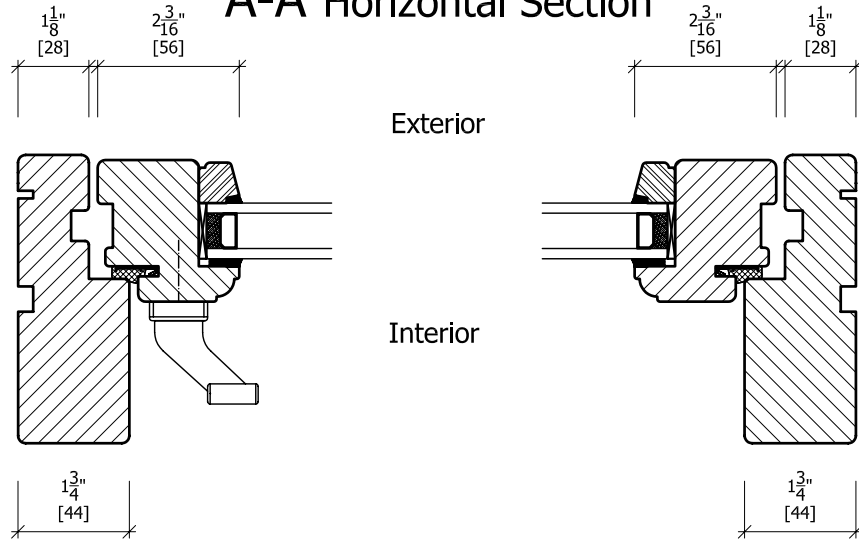
Interior



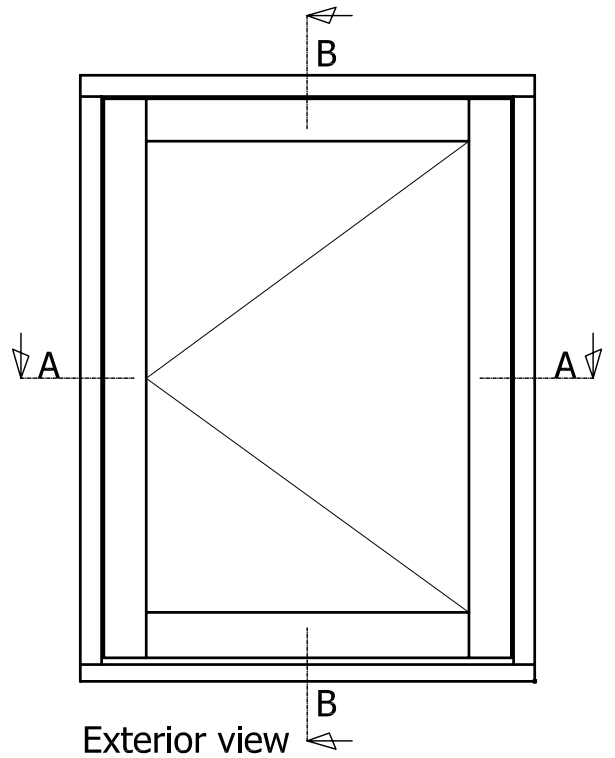
B-B Vertical Section

Wood Window			www.casteliaUSA.com +1 310 393 5540 Phone +1 310 393 1232 Fax
Castelia Fixed Window	Date	12.01.2007	CASTELIA Division of Goldbrecht USA Inc.
	Engineer	C.J.B.	
	Doc #	T-WO-FI-56-W-DX-070112-1.8	
Variant	Direct set	System	56 mm

A-A Horizontal Section

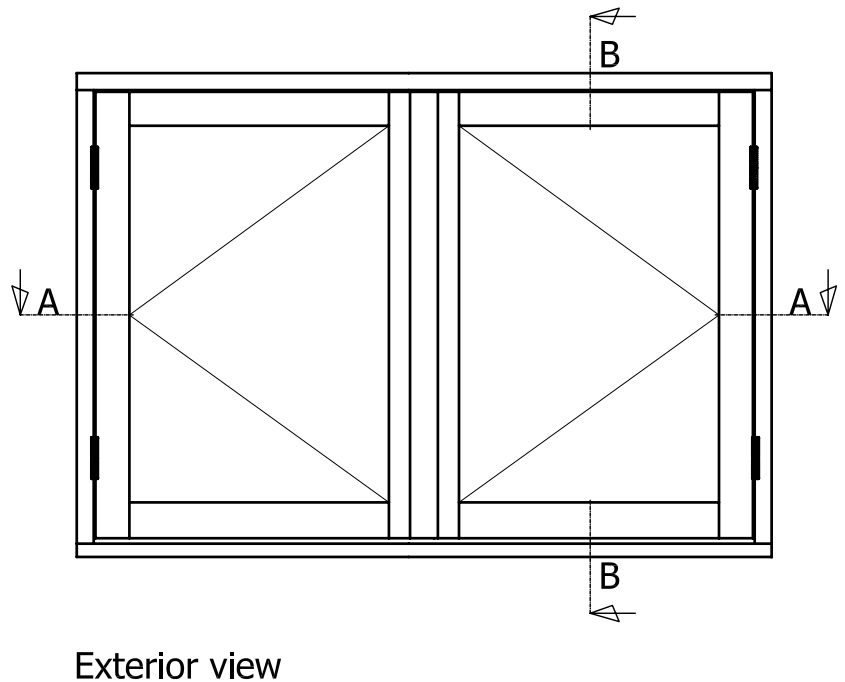
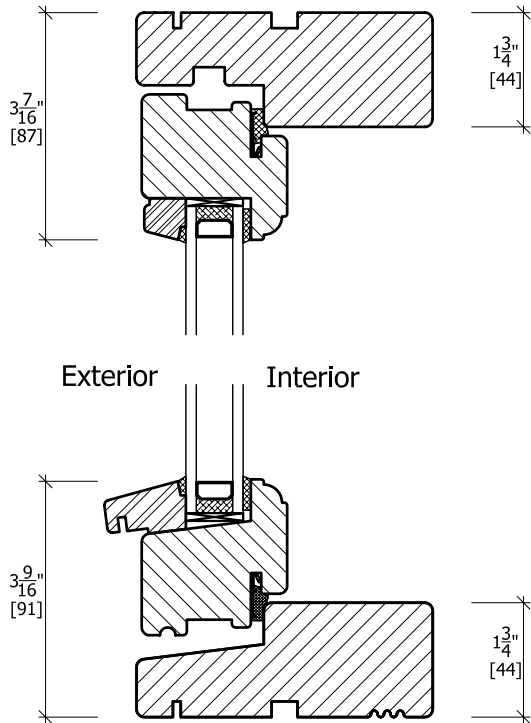
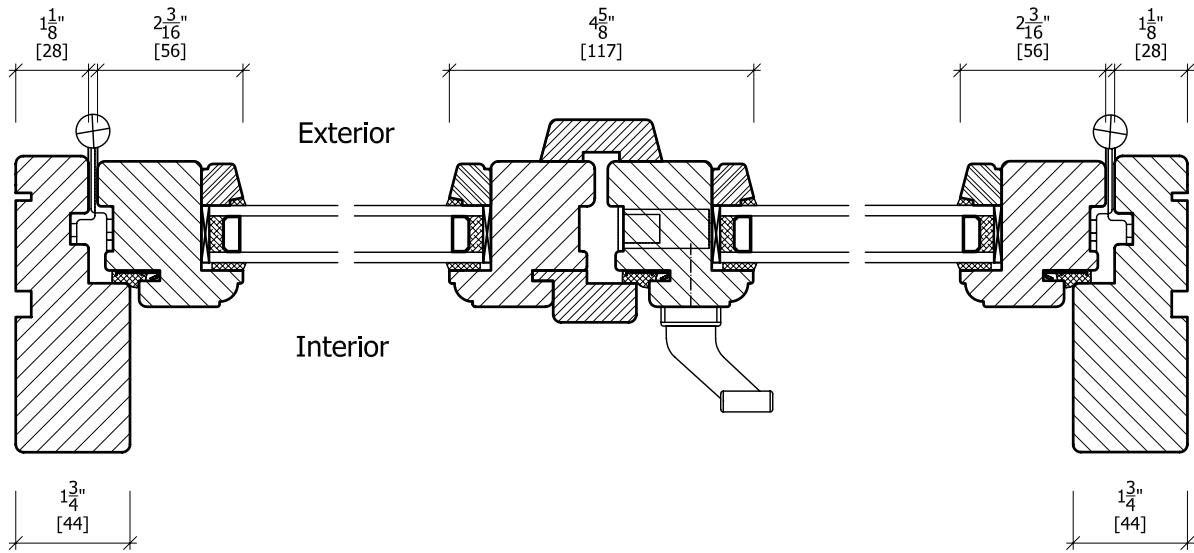


B-B Vertical Section



<h2>Wood Window</h2>			www.casteliaUSA.com +1 310 393 5540 Phone +1 310 393 1232 Fax	
<h3>Castelia Outswing Window</h3>		Date	01.14.2007	
		Engineer	C.J.B.	
		Doc #	T-WO-OC-56-Fully-V-DX-070114-1.7	
Variant	Fully reversible w/ concealed hardware		System	56 mm

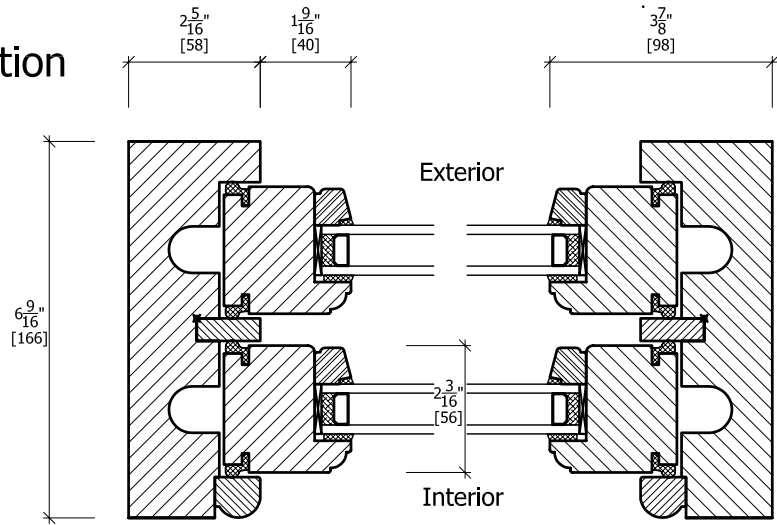
A-A Horizontal Section



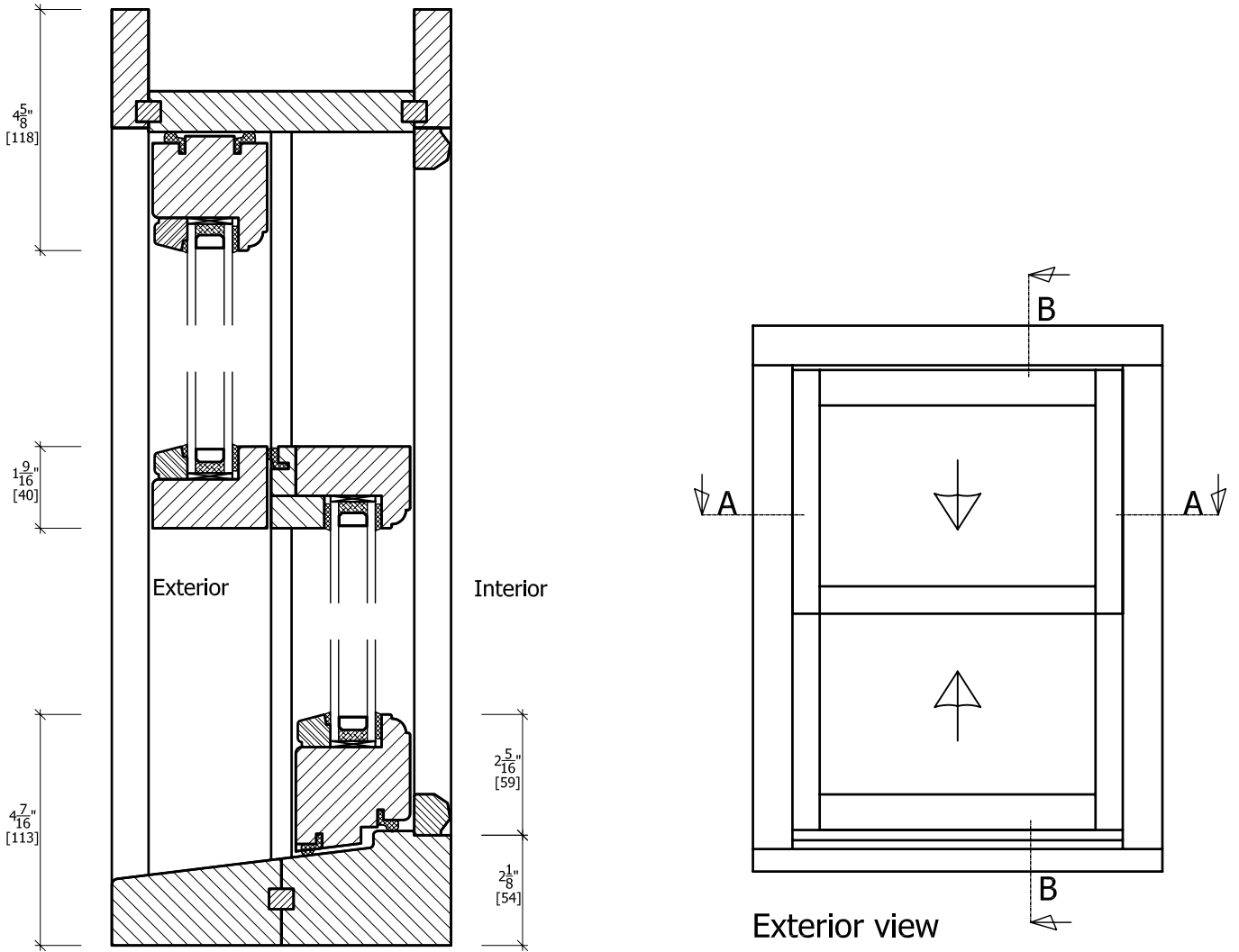
B-B Vertical Section


<h2>Wood Window</h2>		www.casteliaUSA.com +1 310 393 5540 Phone +1 310 393 1232 Fax	
		CASTELIA Division of Goldbrecht USA Inc.	
<h3>Castelia Outswing Window</h3>		Date	12.15.2006
		Engineer	C.J.B.
Variant 2-sash w/o center mullion and side hinges		Doc #	T-WO-OC-56-DX-061127-2.5
		System	56 mm

A-A Horizontal Section



B-B Vertical Section



<h2>Wood Window</h2>			www.casteliaUSA.com	
<h3>Castelia Double Hung Window</h3>			Date	12.15.2006
			Engineer	C.J.B.
Variant			Doc #	T-WO-DH-56-W-DX-061220-1.0
			System	
			+1 310 393 5540 Phone +1 310 393 1232 Fax  Division of Goldbrecht USA Inc.	