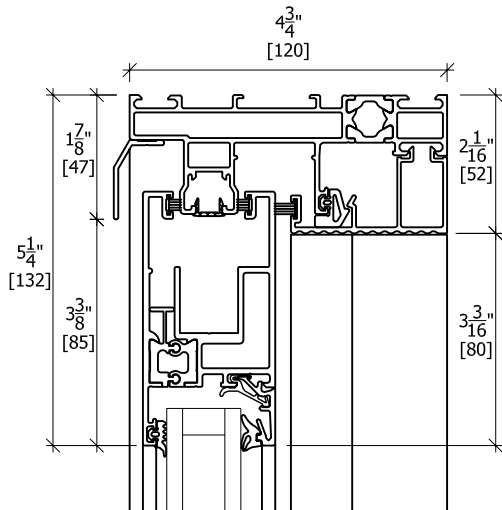
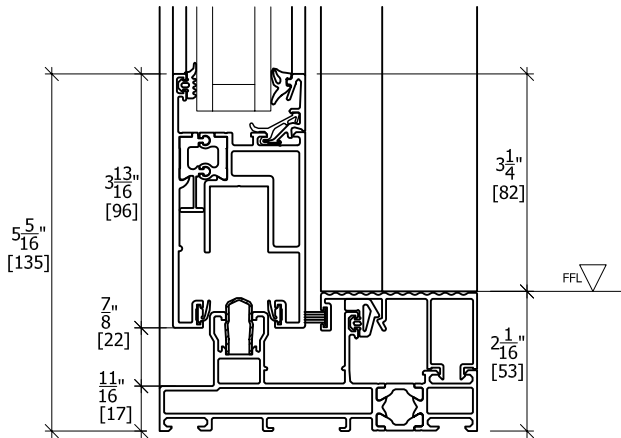
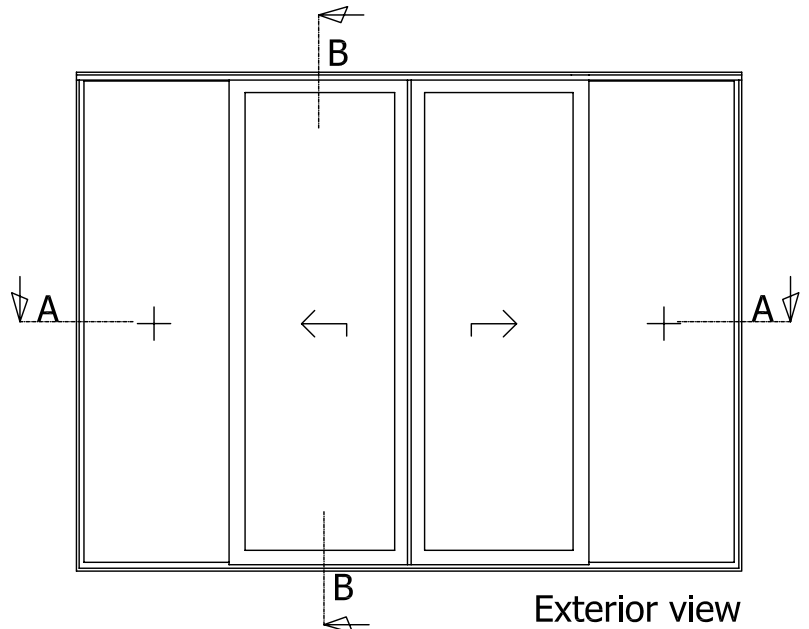


B-B Vertical Section



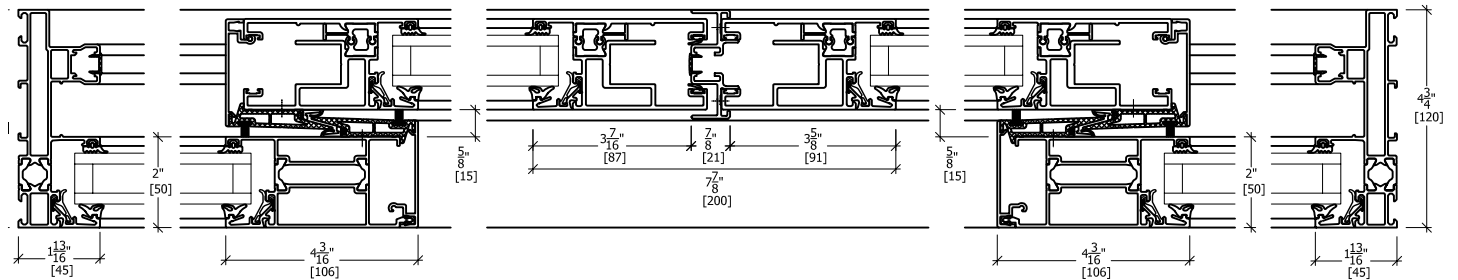
Exterior

Interior



Interior

A-A Horizontal Section



Exterior

Aluminium Window		www.casteliaUSA.com	
		+1 310 393 5540 Phone +1 310 393 1232 Fax	
Lift and Roll Door	Date	02/22/2008	
	Engineer	C.J.B.	
	Doc #	Not to Scale	
Variant	System C	System	Folding & Sliding Series