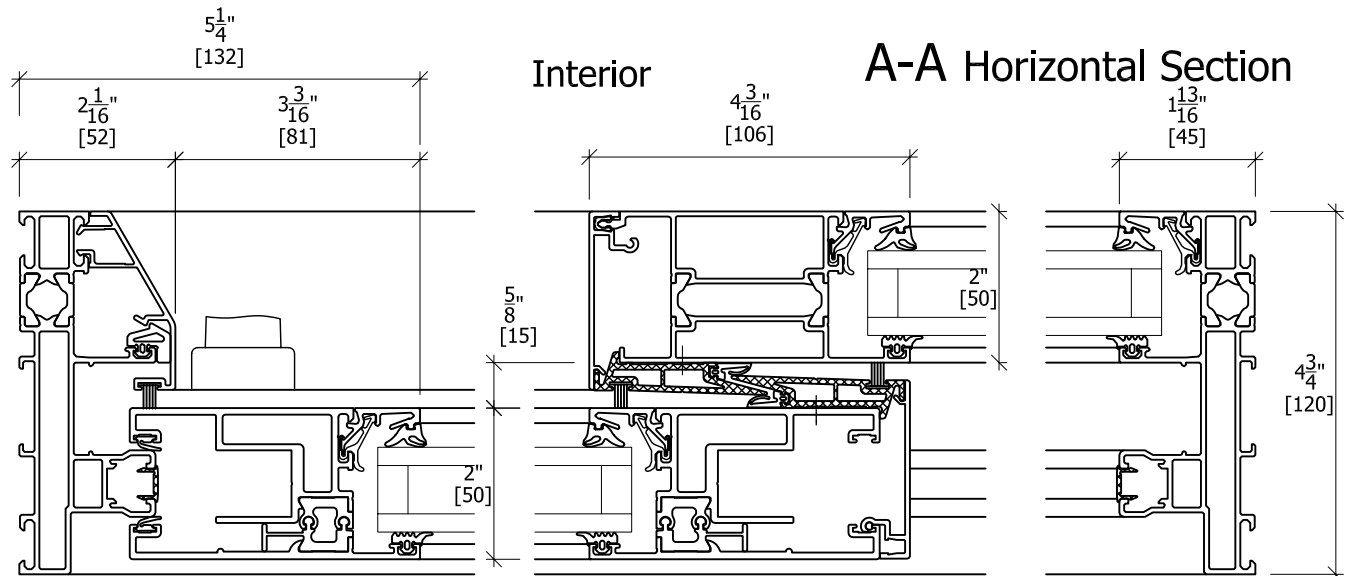
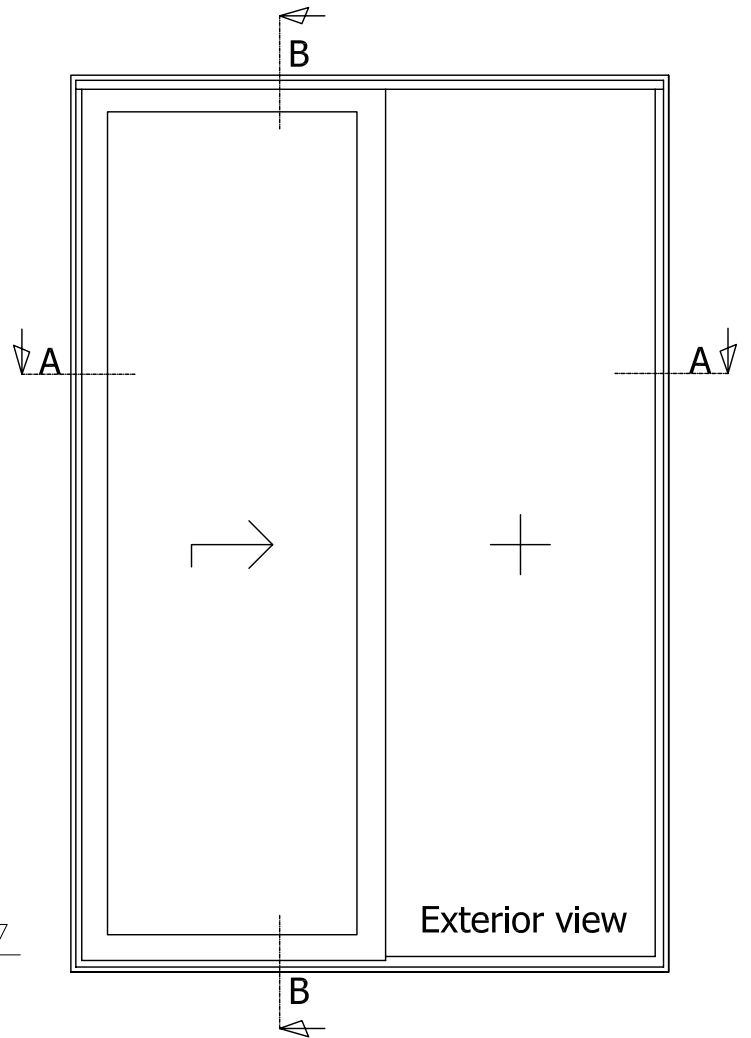
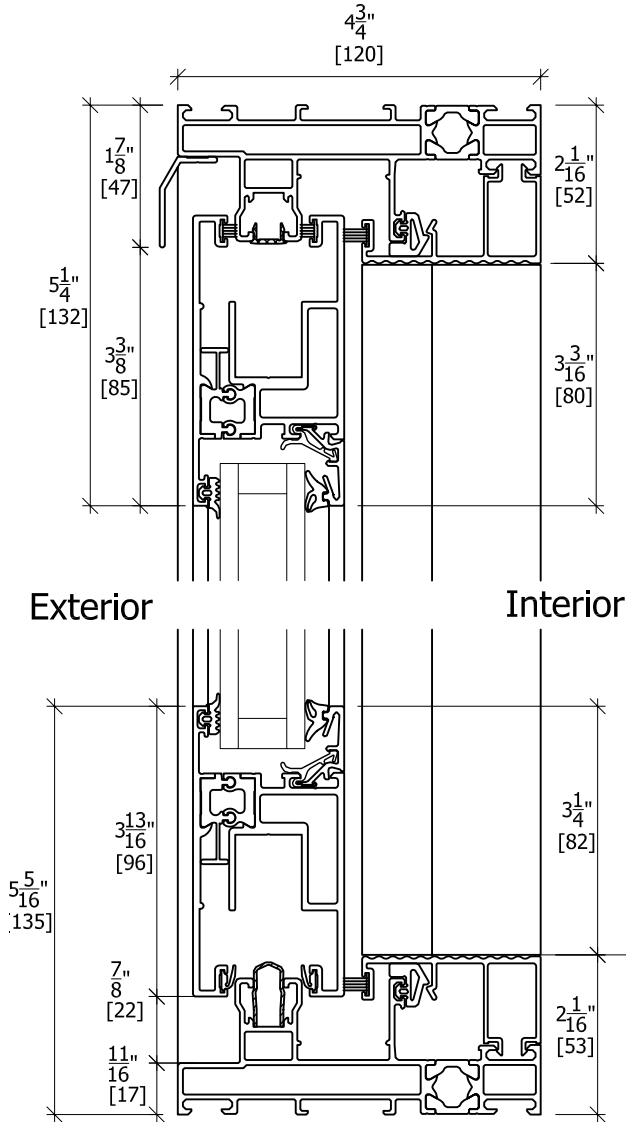


B-B Vertical Section



| | | | | | |
|-----------------------------|-------------------|----------|--------------|--|--|
| <h2>Aluminium Window</h2> | | | | www.casteliaUSA.com +1 310 393 5540 Phone +1 310 393 1232 Fax | |
| <h3>Lift and Roll Door</h3> | | Date | 02/22/2008 | | |
| | | Engineer | C.J.B. | | |
| | | Doc # | Not to Scale | | |
| Variant | <h3>System A</h3> | | System | Sliding & Folding Series | |