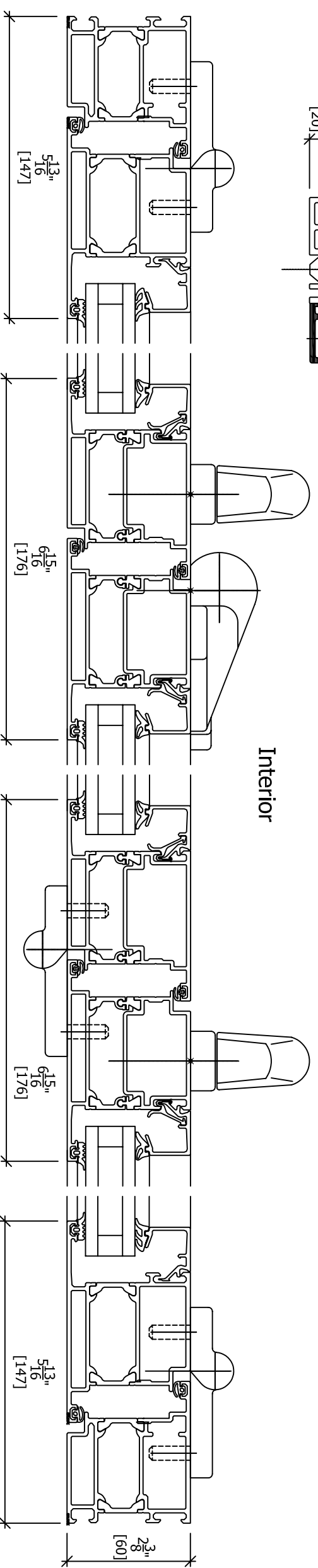
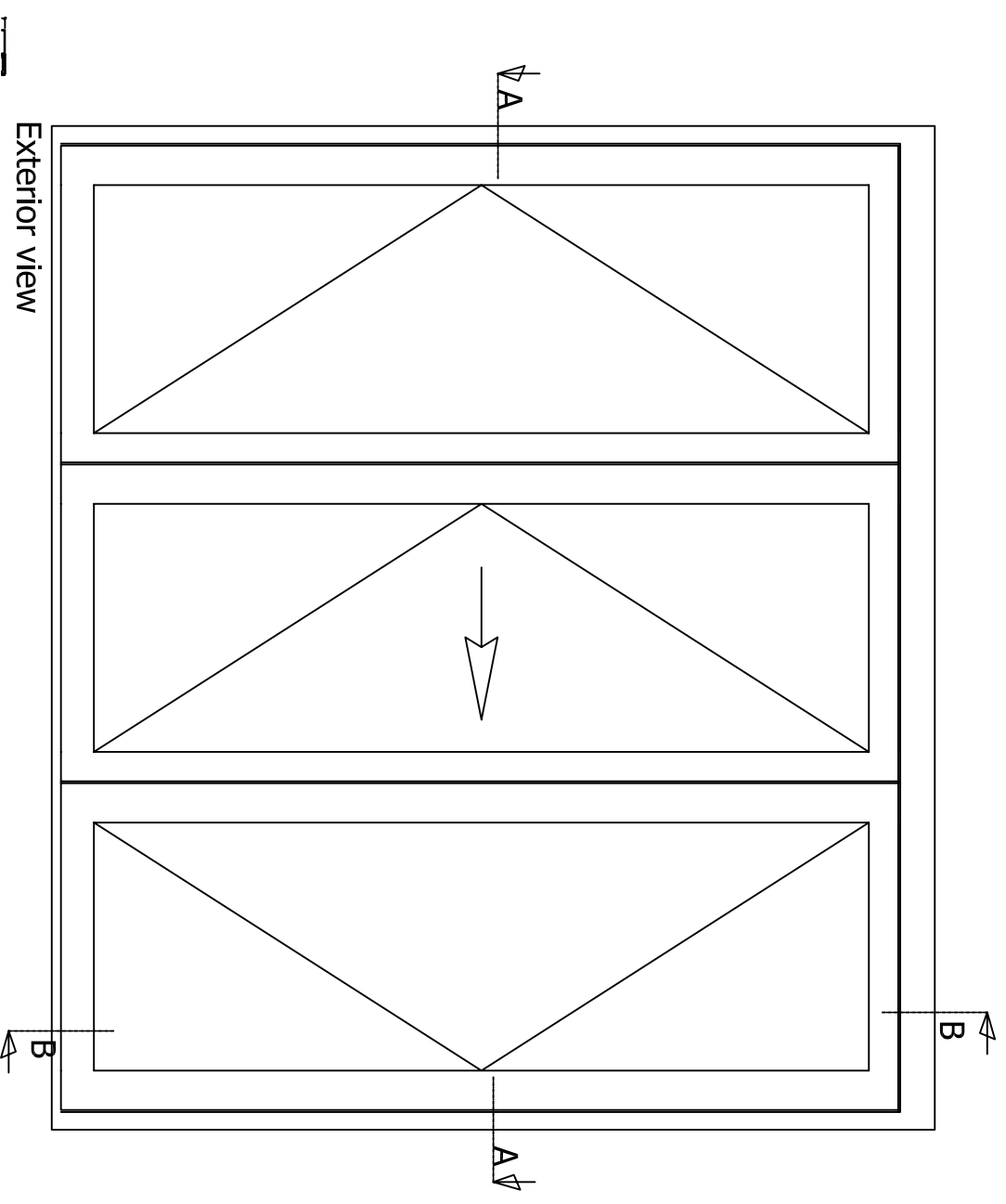
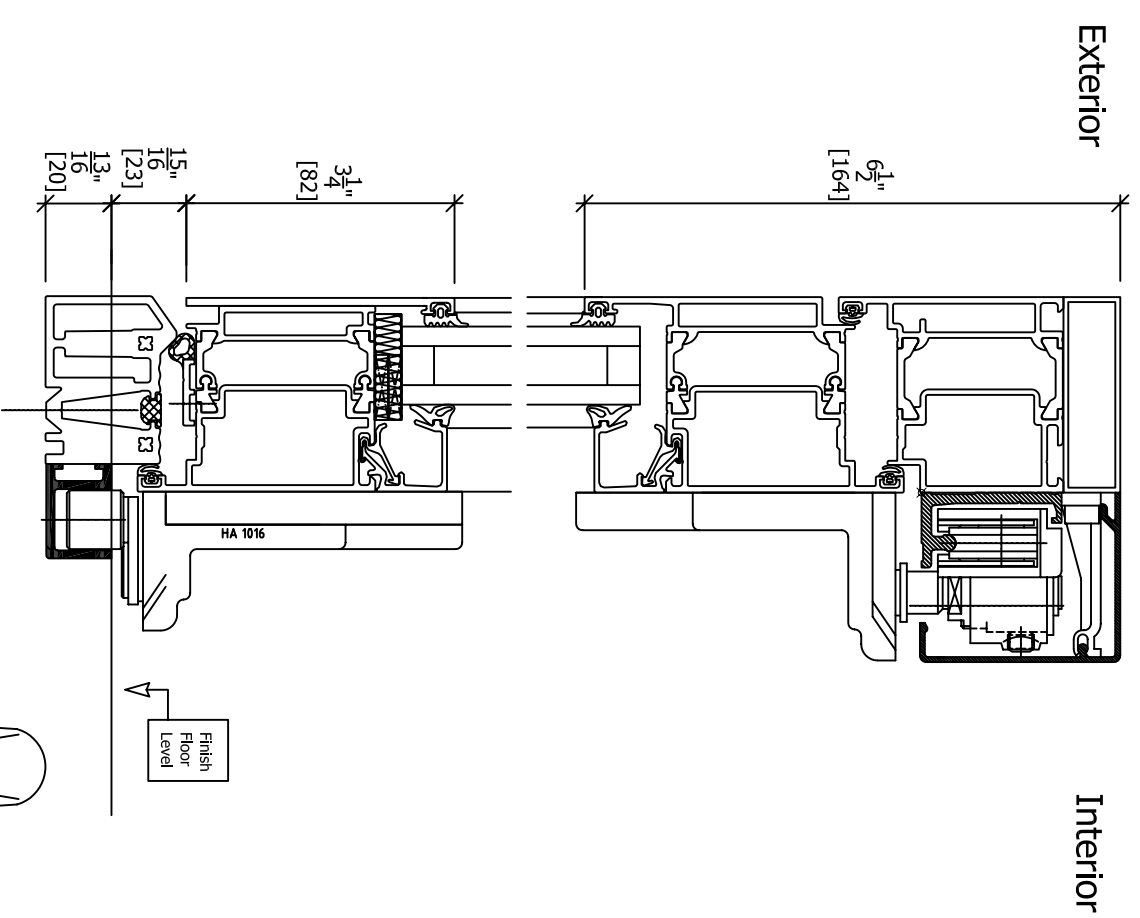


# B-B Vertical Section



# A-A Horizontal Section

Exterior

<b>Aluminum Door</b>		<b>Foldaway Door Type 321</b>		<b>3-sash top rail</b>	
Variant		Date	02.12.2008	System	Folding & sliding series
		Engineer	C.J.B.		
		Doc #			