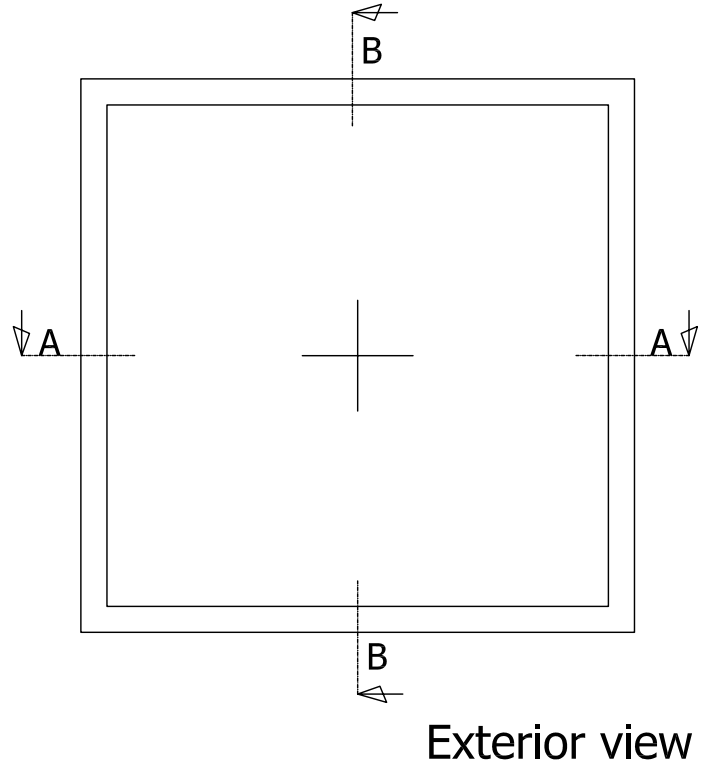
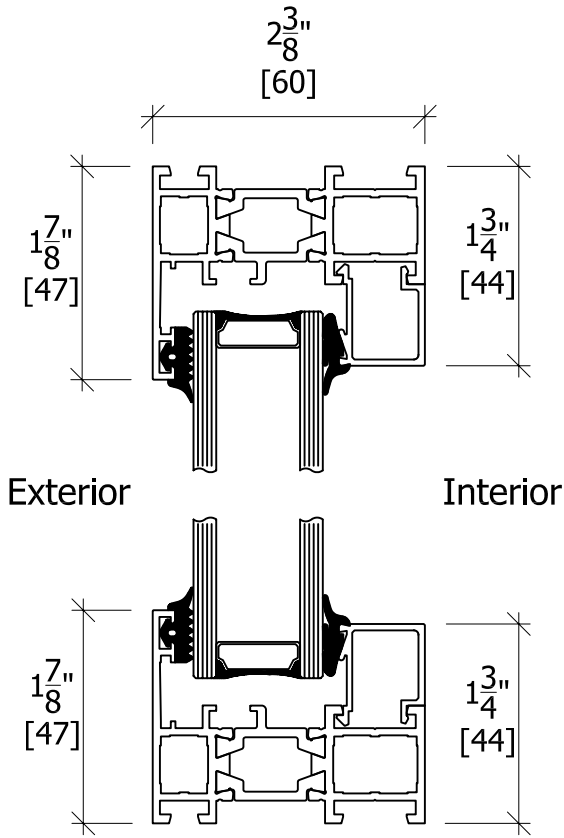
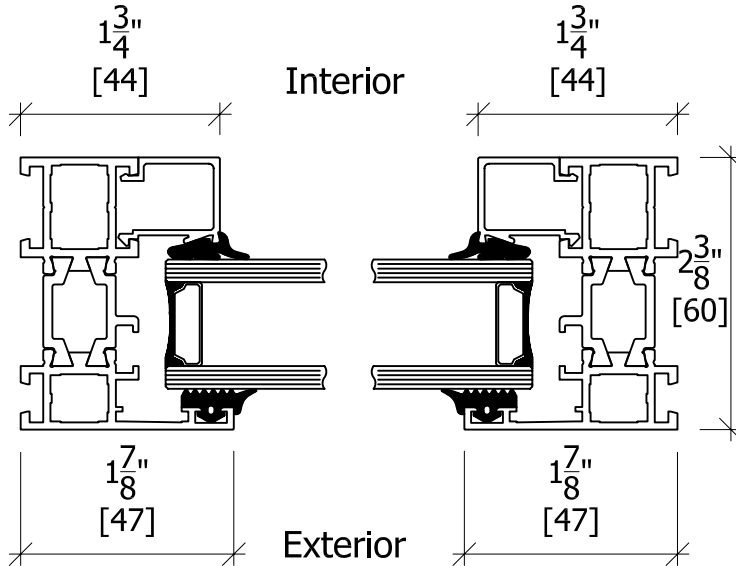


B-B Vertical Section



A-A Horizontal Section



Aluminium Window			www.casteliaUSA.com +1 310 393 5540 Phone +1 310 393 1232 Fax
Fixed Window	Date	09/12/2007	CASTELIA Division of Goldbrecht USA Inc.
	Engineer	HF	
	Doc #	Castelia lfdn	
Variant		System	65 series