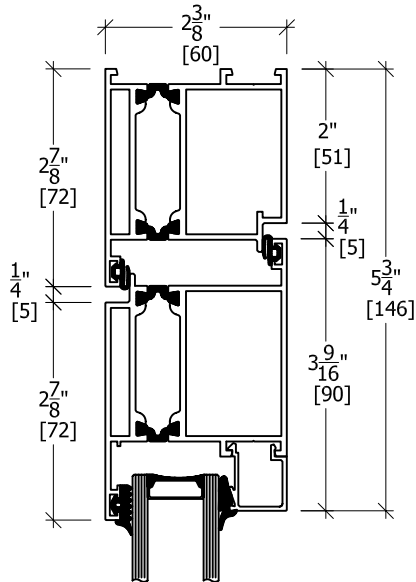
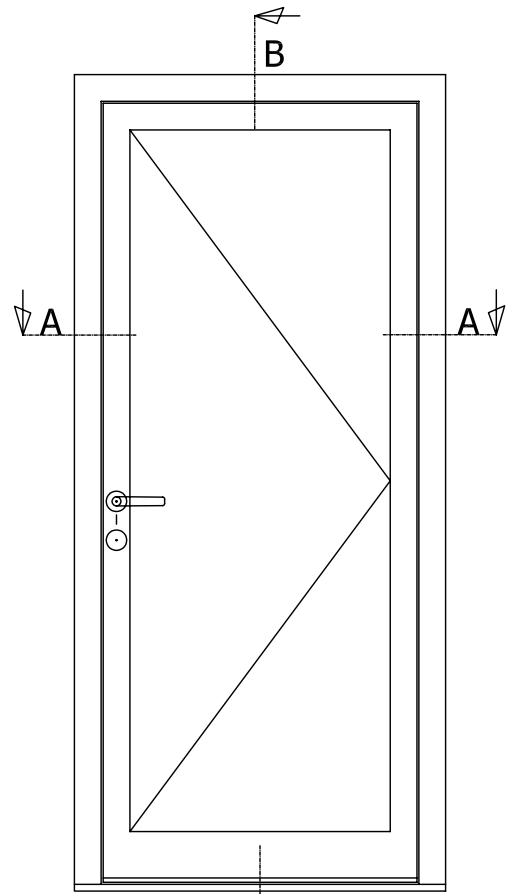
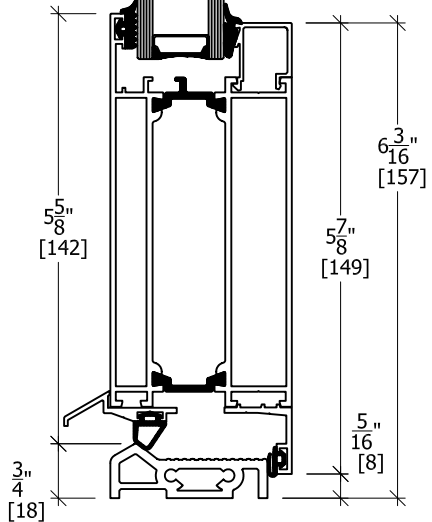


B-B Vertical Section



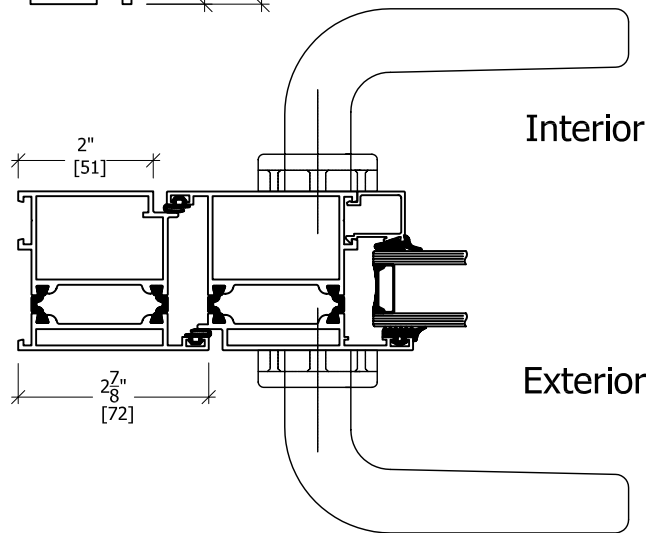
Exterior

Interior



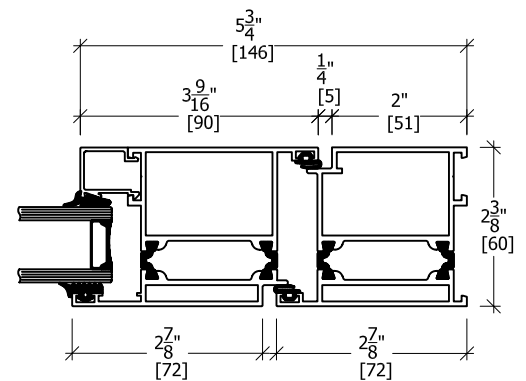
Exterior view

A-A Horizontal Section



Interior

Exterior



| | | | |
|-------------------------|----------|---------------|---|
| Aluminium Window | | | www.casteliaUSA.com +1 310 393 5540 Phone +1 310 393 1232 Fax |
| Entry Door, inswing | Date | 09/12/2007 | CASTELIA Division of Goldbrecht USA Inc. |
| | Engineer | HF | |
| | Doc # | Castelia lfdn | |
| Variant | System | 65 series | |