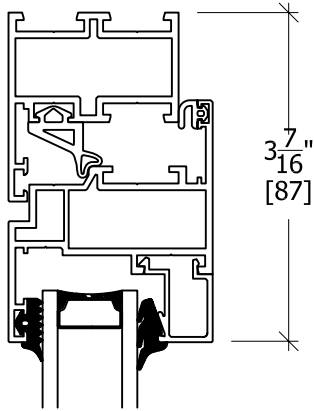
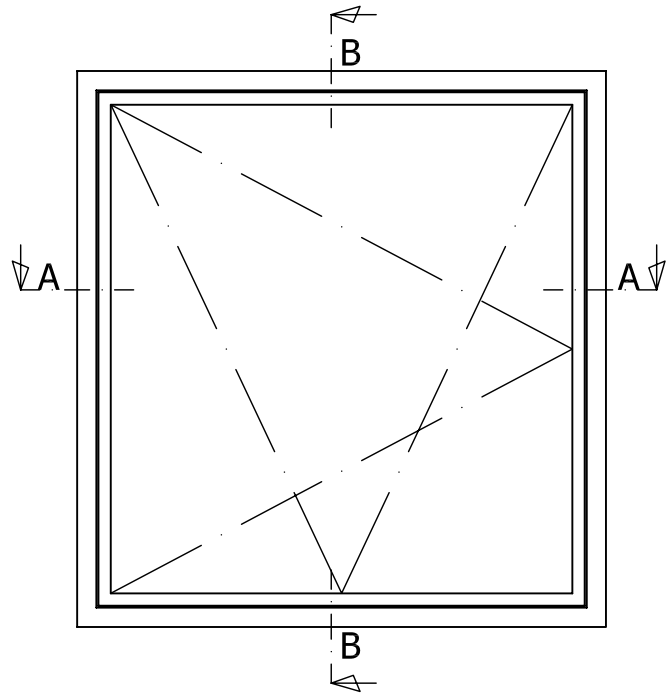
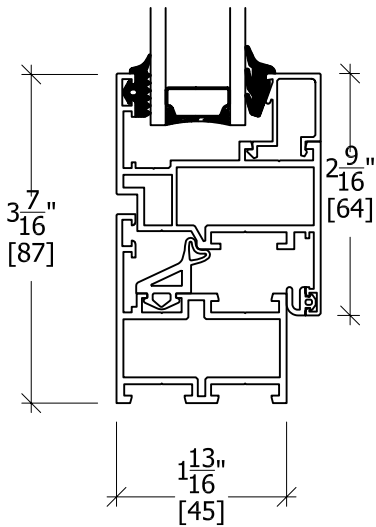


# B-B Vertical Section



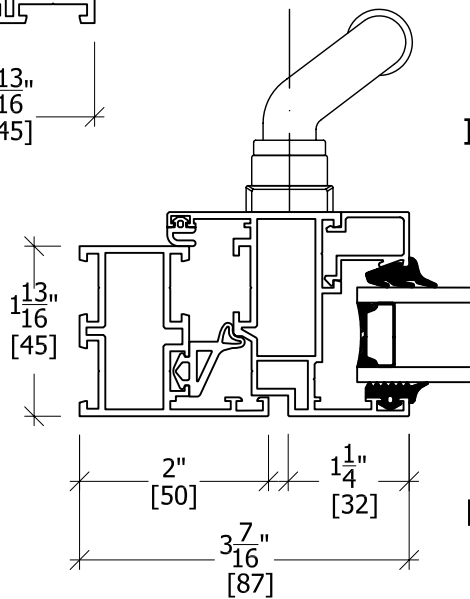
Exterior

Interior

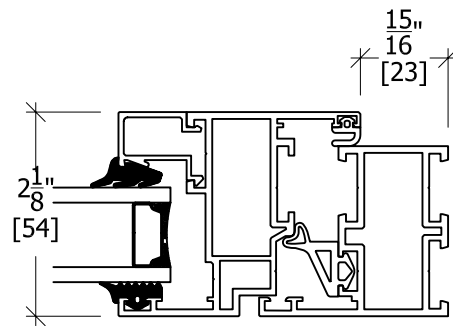


Exterior view

# A-A Horizontal Section



Interior



Exterior

<h2>Aluminum Window</h2>			<a href="http://www.casteliaUSA.com">www.casteliaUSA.com</a> +1 310 393 5540 Phone +1 310 393 1232 Fax <b>CASTELIA</b> Division of Goldbrecht USA Inc.
<h3>Turn &amp; Tilt</h3>	Date	08.10.2007	
	Engineer	M. W.	
	Scale		
Variant		System	50 series