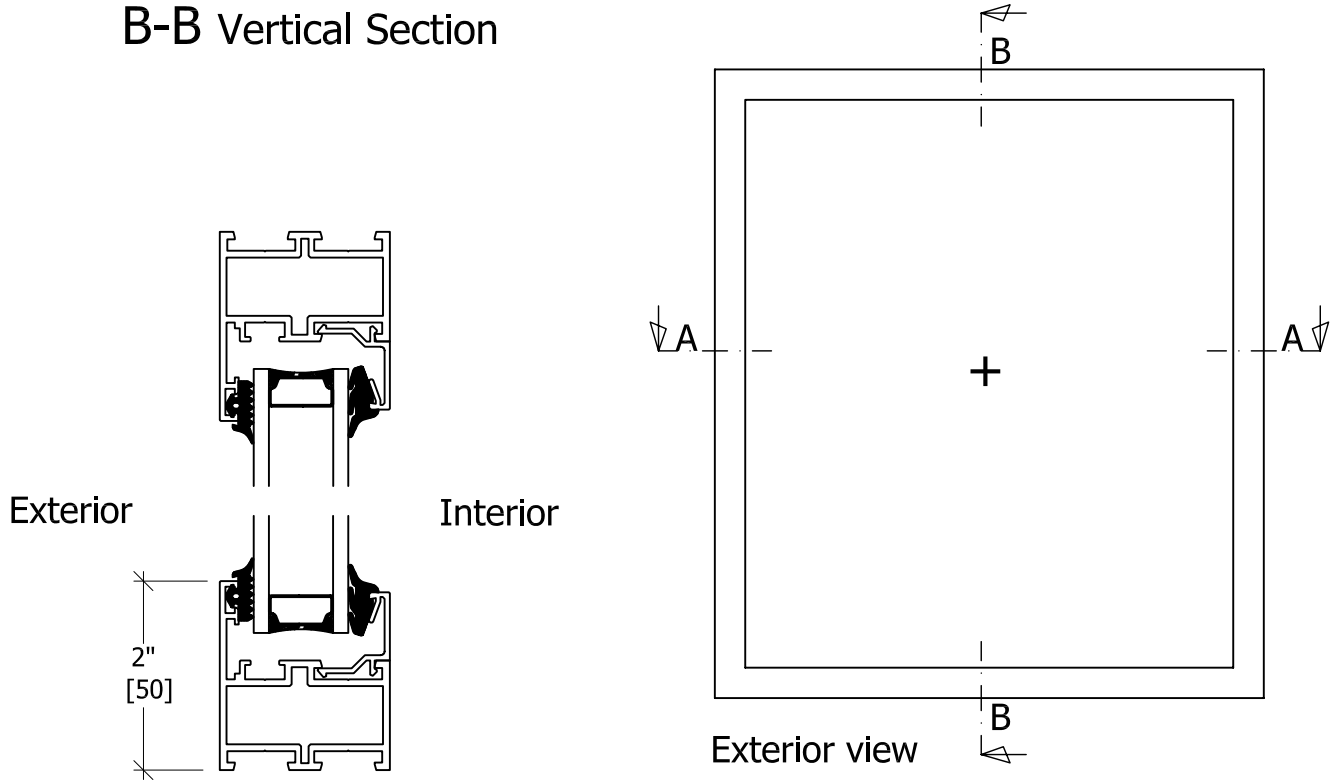
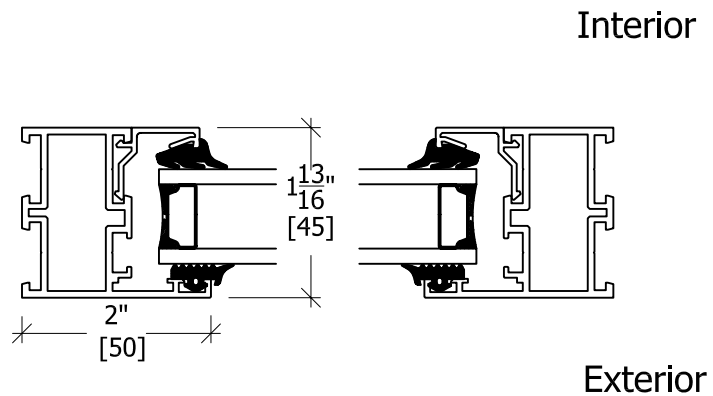


B-B Vertical Section



A-A Horizontal Section



Aluminum Window			www.casteliaUSA.com +1 310 393 5540 Phone +1 310 393 1232 Fax
Fixed Window	Date	08.10.2007	CASTELIA Division of Goldbrecht USA Inc.
	Engineer	M. W.	
	Scale		
Variant		System	50 series